

MICRO SWITCH

A DIVISION OF MINNEAPOLIS-HONEYWELL REGULATOR COMPANY
 FEDERAL REGISTERED TRADEMARK
 FED. MFR. CODE 91929

SWITCH - BASIC

CATALOG LISTING
BM-1R-A2

(M) BM-1R-A2
 ISSUE 1

BM-1R-A2

M

DRAWING NUMBER

REPLACES

RELEASE NO. SR 9544

06MAY25

MM

CHECK

06NOV07

ASD

CHECK

23NOV07

ASD

CHECK

22MAY61

ASD

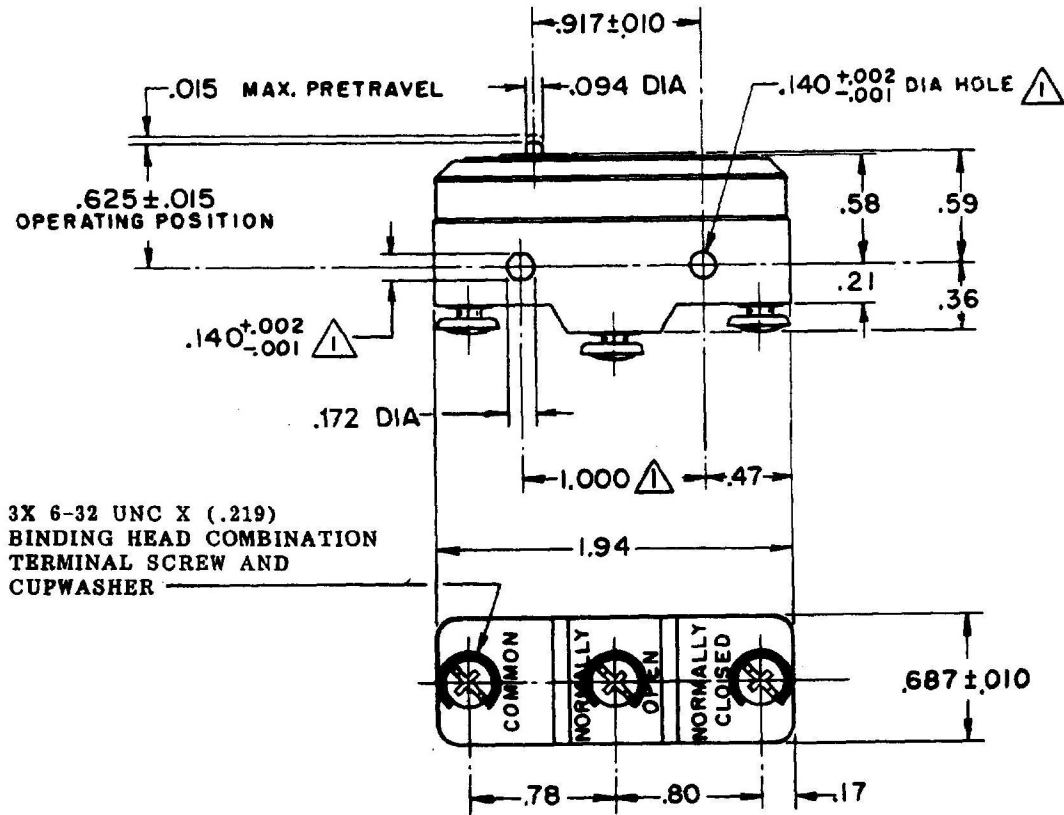
CHECK

22MAY61

ASD

CHECK

22MAY61



NOTE -
 ▲ - MOUNTING HOLES WILL ACCEPT PINS OR SCREWS OF .139 MAX DIA ON 1.000 ±.002 CENTERS

THIS DRAWING COVERS A PROPRIETARY ITEM AND IS THE PROPERTY OF MICRO SWITCH, A DIVISION OF MINNEAPOLIS-HONEYWELL REGULATOR CO. THIS DRAWING IS NOT TO BE COPIED OR USED WITHOUT THE APPROVAL OF MICRO SWITCH.

CHARACTERISTICS	ELECTRICAL DATA		SCALE FULL
OPERATING FORCE ----- 7-10 OZ	CONTACT ARRANGEMENT S P D T	BREAK DISTANCE .010 MIN	DO NOT SCALE PRINT
RELEASE FORCE ----- 4 OZ MIN	L374	22A GP, 125-250-480Vac, 60Hz; 1/2hp, 125Vac, 60Hz; 1hp, 250Vac, 60Hz.	UNLESS OTHERWISE SPECIFIED DIMENSIONS ARE IN INCHES
DIFFERENTIAL TRAVEL ----- .0005-.0010	L381		TOLERANCES ARE:
OVERTRAVEL ----- .005 MIN	L288		ONE PLACE (.1) ±.005
	L315		TWO PLACE (.01) ±.015
	L318		THREE PLACE (.001) ±.005
		22A 250V ~ T85 5E4	WEIGHT .060 LB

RASTER
 DRAWN
 O-50378

Downloaded By: Heckman, Steven - 17_04_2026_13_49_33. HEC: EAR99. TEC: EAR99. GOV: ESO1.0

BM-1R-A2 11 Released Honeywell proprietary & Confidential